

SONANCE 

SURROUND SOUND REFERENCE CABINET SPEAKER R1CAB

Overview

Created for AV Designers building systems that require the best surround sound available with a look that fits the space aesthetically, The Sonance Reference cabinet speaker provides a solution for built-in cabinetry with a truly incredible sound, engineered to give you an amazing cinema experience, The Sonance R1CAB can be used with Reference in-wall speakers, in-ceiling speakers and in-wall subwoofers.



R1CAB

Key Features

Aesthetics

- Piano black finish cabinet with black speaker cloth grille

Performance

- Woofer boundary compensation switch for improved integration with subwoofers
- Phase switch for easy wiring configuration
- Built to bring out the best sound in movies, gaming and streaming
- All new driver technology
- High excursion carbon fiber woofer

Installation

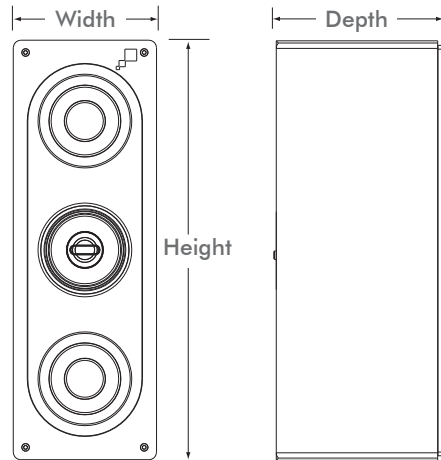
- Easy to install
- Perfect for installations in built-in furniture or entertainment units
- Mix and match with Reference in-wall speakers, in-ceiling speakers and in-wall subwoofers



R1CAB with Grille

Dimensions

Width:	7 1/2" (190mm)
Height:	22" (559mm)
Depth:	9 1/16" (230mm)



Specifications

Model:	R1CAB
SKU:	93339
Unit of Measure:	Each
Tweeter:	1" (25mm) Ceramic dome, Ferrofluid-cooled in an acoustic back chamber
Midrange:	5 1/4" (133mm) Carbon fiber/Rohacell laminated cone with a rubber surround
Woofer:	5 1/4" (133mm) Carbon fiber/Rohacell laminated cone with a rubber surround
Frequency Response:	70Hz - 30kHz +/-3dB
Impedance:	8 Ohms nominal; 6 Ohms minimum
Power Handling:	5 Watts minimum; 150 Watts maximum
Sensitivity:	90dB SPL (2.83V/1 meter)
Grille Material:	Black cloth
Shipping Weight:	25 lbs (11.4kg)

LIMITED LIFETIME WARRANTY

Sonance warrants to the first end-user purchaser that this Sonance-brand product ("Product"), when purchased from an authorized Sonance Dealer/Distributor, will be free from defective workmanship and materials for the life of the Product, except for the grille, which is warranted for five (5) years. Sonance will, at its option and expense, either repair the defect or replace the Product with a new or remanufactured Product or a reasonable equivalent. **Please visit our website and owner's e-Manual for complete warranty and exclusion information.**



©2017 Sonance. All rights reserved.

Sonance and Visual Performance are registered trademarks of Dana Innovations.

Due to continuous product improvement, all features and specifications are subject to change without notice.

For the latest Sonance product specification information visit our website: www.sonance.com

SONANCE • 991 Calle Amanecer • San Clemente, CA 92673 USA
(949) 492-7777 • FAX: (949) 361-5151 • Technical Support: (949) 492-7777

www.sonance.com