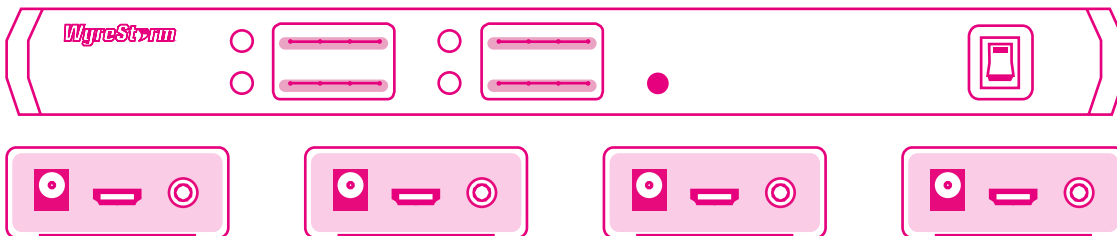


WYRESTORM QI MATRIX



MX-0404-QI

COMPANY

PROFILE

Wyrestorm is an award-winning electronics manufacturer passionately committed to the development and production of high quality HD distribution and control products at the very forefront of digital technology.

We have our own development laboratories based in Europe and Shenzhen, China – a key location in cutting edge technologies considered widely to be the cradle of new trends in global electronics.

With a research and development team ranking among the leading specialists in the HD distribution industry, our innovative solutions are often born from direct industry feedback to ensure our products, features and services are perfectly suited to the ever-growing number of residential and commercial applications.

Here at Wyrestorm we follow a simple but all-encompassing philosophy that colors everything we do: A constant quest for perfection. We devote all our energies and resources to the creation of innovative products and services that allow the integrator to supply a superior entertainment experience for their clients – and do so faster and more efficiently to maximise budget, while minimising time on site.

The best way of achieving this is by talking to and, most importantly, listening to the industry - encouraging observations and suggestions from distributors and integrators that allow us to provide you with the most powerful, reliable and convenient technical solutions you need to constantly surpass your client expectations.

INTRODUCTION

TO QI QUICK INSTALL MATRIX

The Wyrestorm 4x4 Quick-Install pack is a system of HD switching and extension that comprises of a 4 Input/4 Output HD Matrix together with 4 display receivers that together provide a total solution for single-cable HD Distribution and Control over distances of up to 40m (131ft) in residential or commercial settings.

The MX0404-QI pack enables ANY four HD devices to be viewed independently and simultaneously on ANY four displays, with full 3D support, over distances of up to 40m (131ft), with full control of the connected sources as well as output from the matrix from display locations via wide band IR control of source devices or RS232.

The system itself is entirely cabled on single Cat5e/6/7 UTP runs to

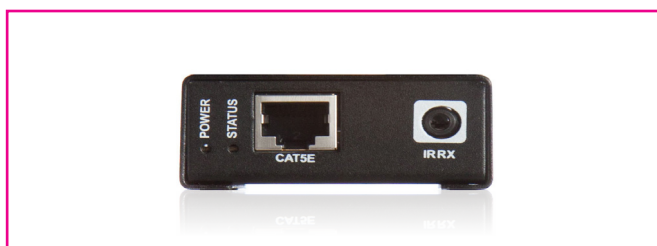
each display point throughout the location for the quickest, most convenient and cost effective means of transmitting and controlling full, uncompressed 1080p HD video and HD audio we could think of to make sure your time on-site is as productive (and brief) as possible.



The WyreStorm 4x4 Quick-Install pack is a system of HD switching and extension that comprises of a 4 Input/4 Output HD Matrix together with 4 display receivers that together provide a total solution for single-cable HD Distribution and Control over distances of up to 40m (131ft) in residential or commercial settings.

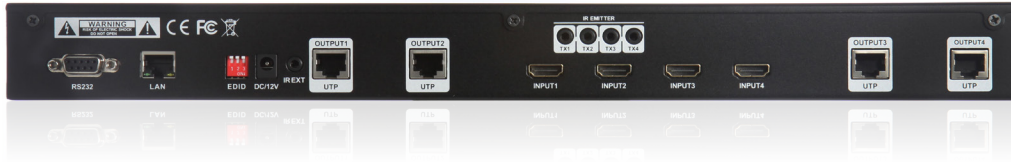
Key Product Features

- Quick and easy installation – set up in seconds straight out of the box.
- Simplified ports - Input: HDMI – Output: integrated RJ45 connectors for a single Cat5e/6/7 UTP cable to each display point for ease of installation.
- Conforms to IEEE-568B standards
- Each HDMI port also supports DVI signals.
- Each Output port can be fed to multiple displays (cascaded).
- Enables up to 4 HDMI video/audio devices to be independently switched through up to 4 HDMI displays or projectors for uncompressed digital distribution.
- Each output able to show any connected source simultaneously regardless of whether the input carries HDCP encryption.
- Refined for Custom Install and Home Theatre

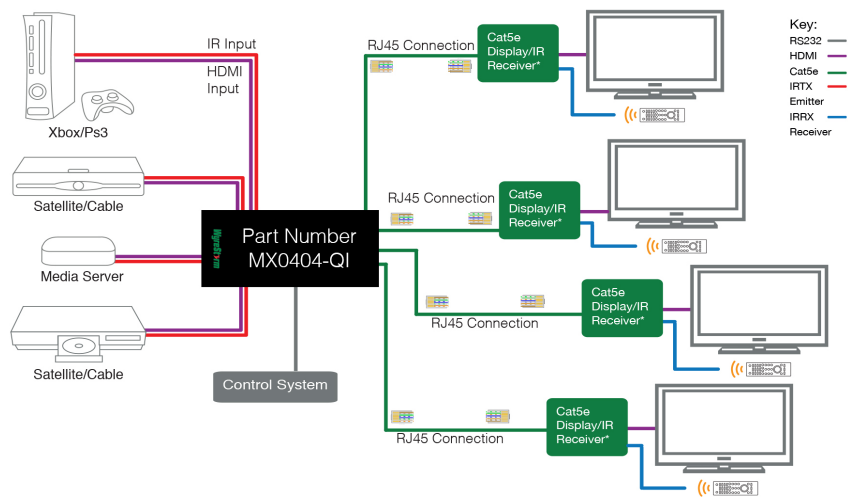


Installations.

- Reads and copies EDID from connected devices with additional EDID configuration through customisable DIP switch settings if necessary.
- 2k resolution supported.
- Fully 3D compatible – Frame sequential 3D (Blu-ray) and interlaced stereoscopic 3D (satellite broadcasts etc.)
- Supports all high definition resolutions up to and including 1080p and standard video formats.
- RS232 port.
- Choose from 6 switching modes – infrared remote control, front panel buttons, local IR, IR call-back, LAN and RS232.
- Simple switching remote control included, which can also be learned into a universal remote handset to allow the control of multiple devices from one handset.
- Fully compatible for integration with market leading control systems.
- 4 x IR 3.5mm mini-jack ports for each output to link IR from control system to control display
- Additional infrared extension port for longer IR connections
- HDMI v.1.3
- Supports 24Bit Colour depth
- Signalling rate of 6.75 Gbps
- Pack comes complete with 1 x 4x4 Matrix with 19" rack



brackets, 4 x 40m IR receivers with mounting brackets, IR receivers, emitters and a Matrix remote control handset.



Wiring diagram
 QI Quick Install
 4 x 4 Matrix.

Operating Temperature Range	-5 to +35°C (-41 to +95°C)
Operating Humidity Range	5 to 90 % RH (no condensation)
Video Amplifier Bandwidth	6.75Gbps
Input Video Signal	0.5 - 1.0 volts p-p
Input DDC Signal	12 volts p-p (TTL)
Maximum Single Link Range	1080p 24bit colour depth
Transmission distance	1080p signal up to 40m / 131ft
*Under perfect transmission conditions including straight cable runs with no electrical interference, bends, kinks, patch panels, or wall outlets.	
Video Format Supported	VESA: 640x480, 800x600, 1024x768, 1280x1024, 1600x1200, 1920,1200 DTV/HDTV: 480i/576i/480p/576p/720p/1080i/1080p

Output Video	HDMI v1.2, HDMI v1.3 + HDCP (Output display mirrors the Input source)
Audio Format Supported	Dolby True HD and DTS-HD (mirrors audio source to output)
Max. Transmission distance over HDMI	N/A
Max. Transmission distance over Cat5e/6/7	N/A
Power Consumption	MATRIX: 22 Watts (max.)
Power Supply	MATRIX: 100-240V AC
Dimensions	440mm / 17.3" (W) 52mm / 2.05" (H) 235mm / 9.25" (D)
Weight	2 Kg / 4.4lbs
Rack space required	1U



Contact Details:

Wyrestorm Technologies LLC, 6991 Appling Farms Parkway, Suite 104, Memphis, TN, 38133
Tel: +901 384 3575 Fax: +901 384 3574

Wyrestorm Technologies Europe Ltd
22 Ergo Business Park, Kelvin Road, Greenbridge, Swindon, SN3 3JW, UK
Tel: +44 (0) 1793 230 343 Fax: + 44 (0) 1793 230 583
Email: sales@wyrestorm.eu

www.wyrestorm.com